

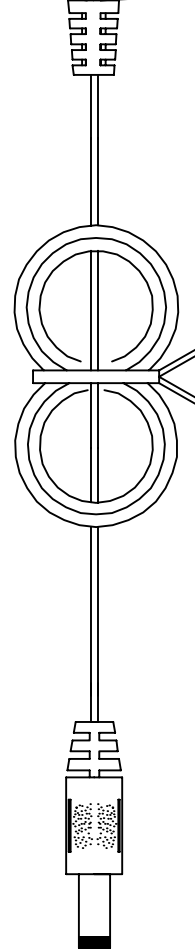
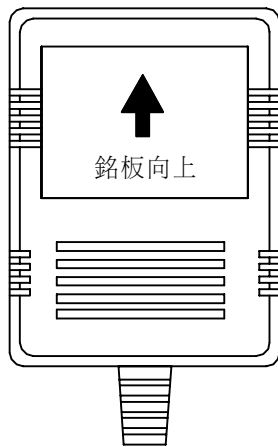
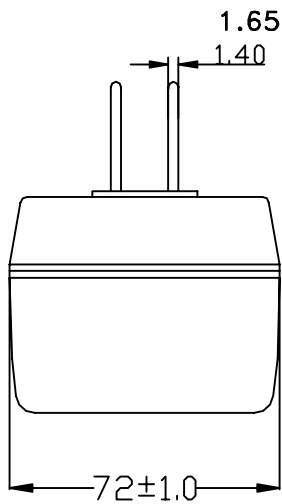
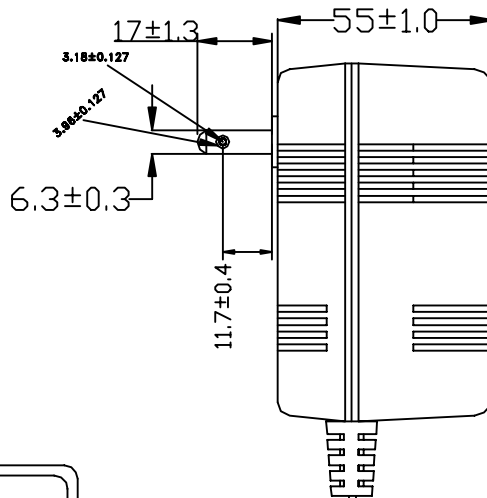
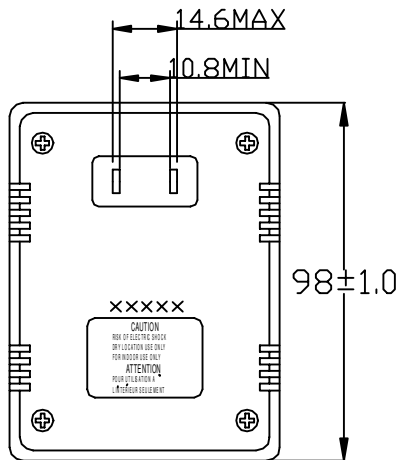
MODEL NO.

DESIGNED NO.

DATE

MAR.22.2012

UNIT:mm



DATE CODE

×××××

month year C or K

kun shan hon-kwang

shen zhen hon-kwang

57插銷式

EXAMINED BY:

副理
2012-03-22
左一甫

CHECKED BY:

LIST BY:陸鳳春